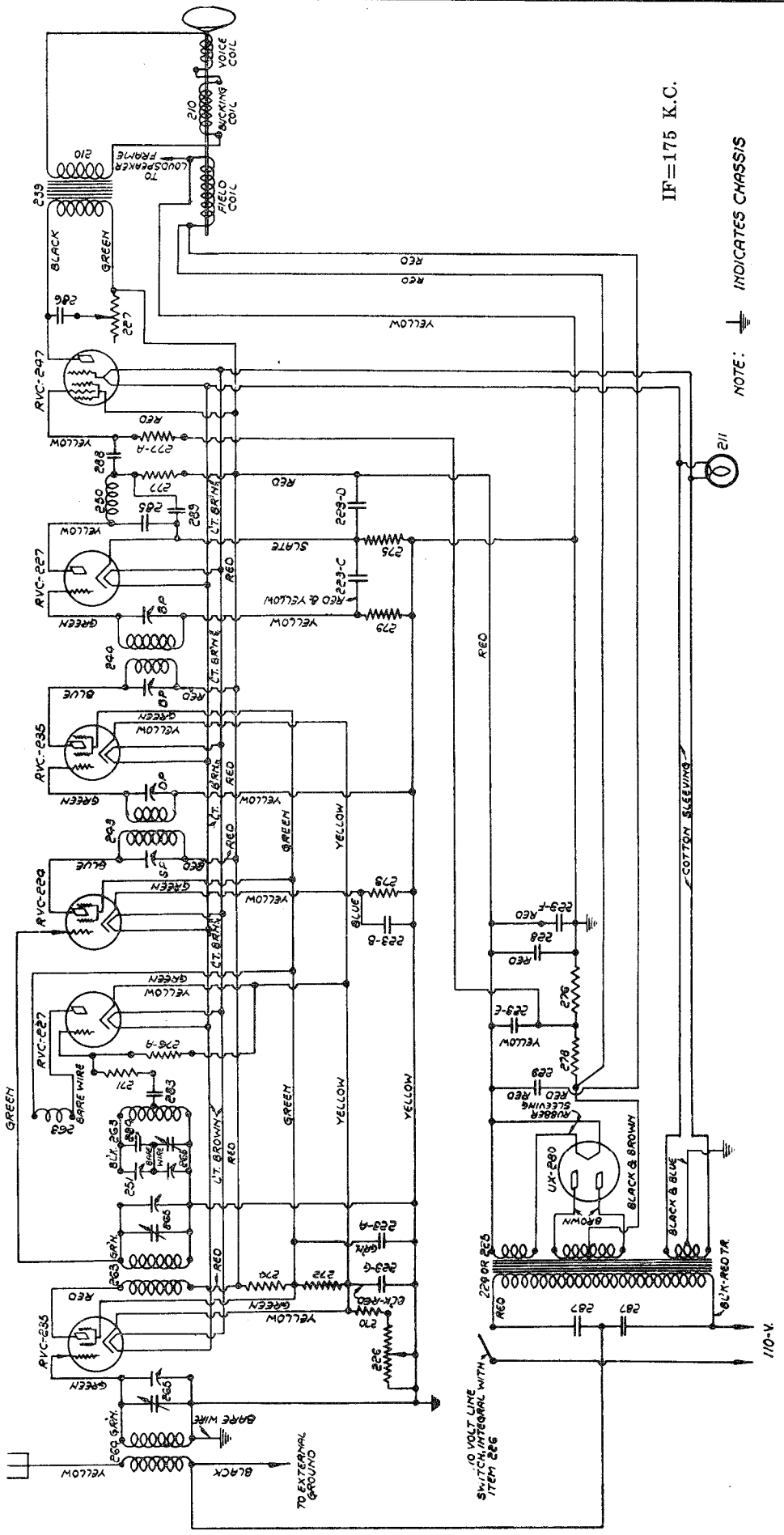


# Diagram of Connections Marconi Model 26

## CONNECTION DIAGRAM

**Marconi**  
MODEL 26



NOTE: INDICATES CHASSIS

IF=175 K.C.

110-V.