

Figure 25 Bridgecrane Assembly

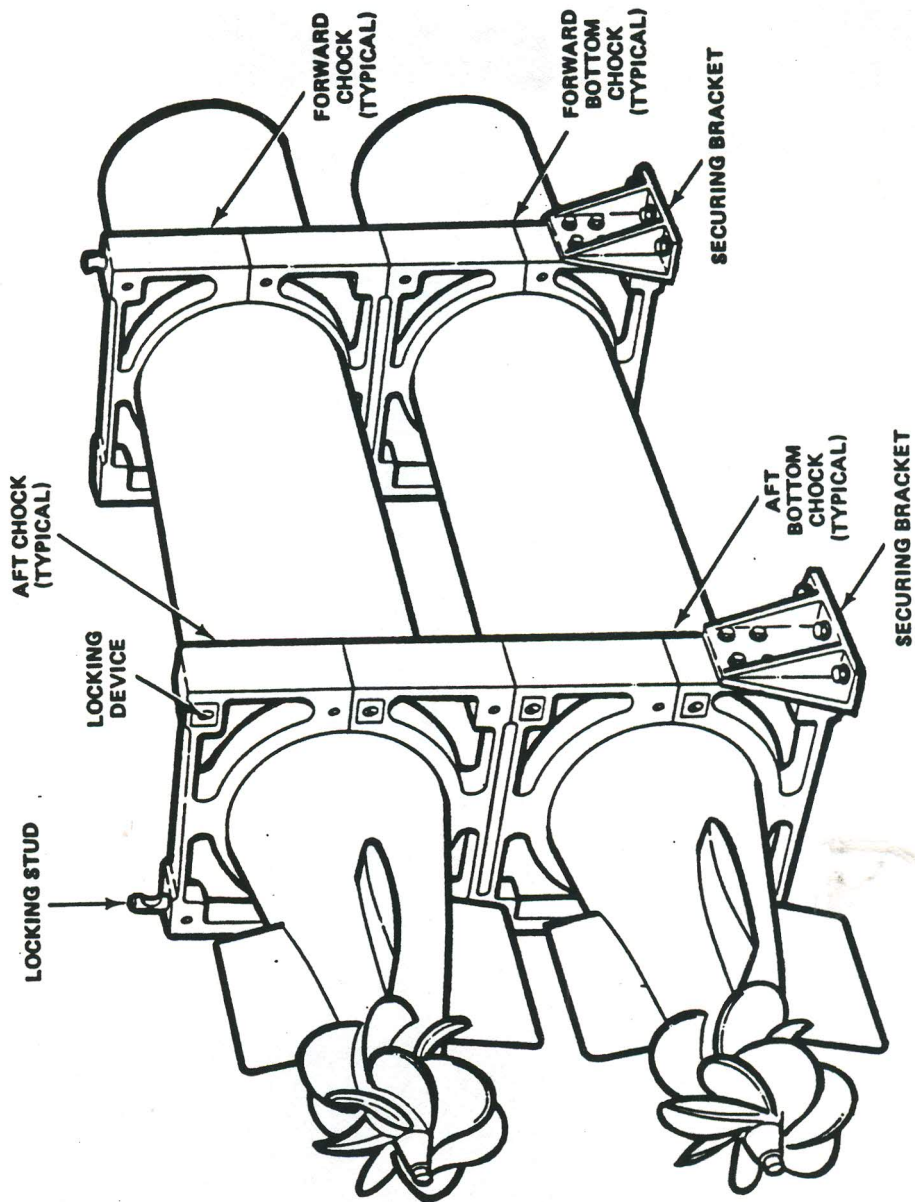


Figure 26 Stowage Chocks

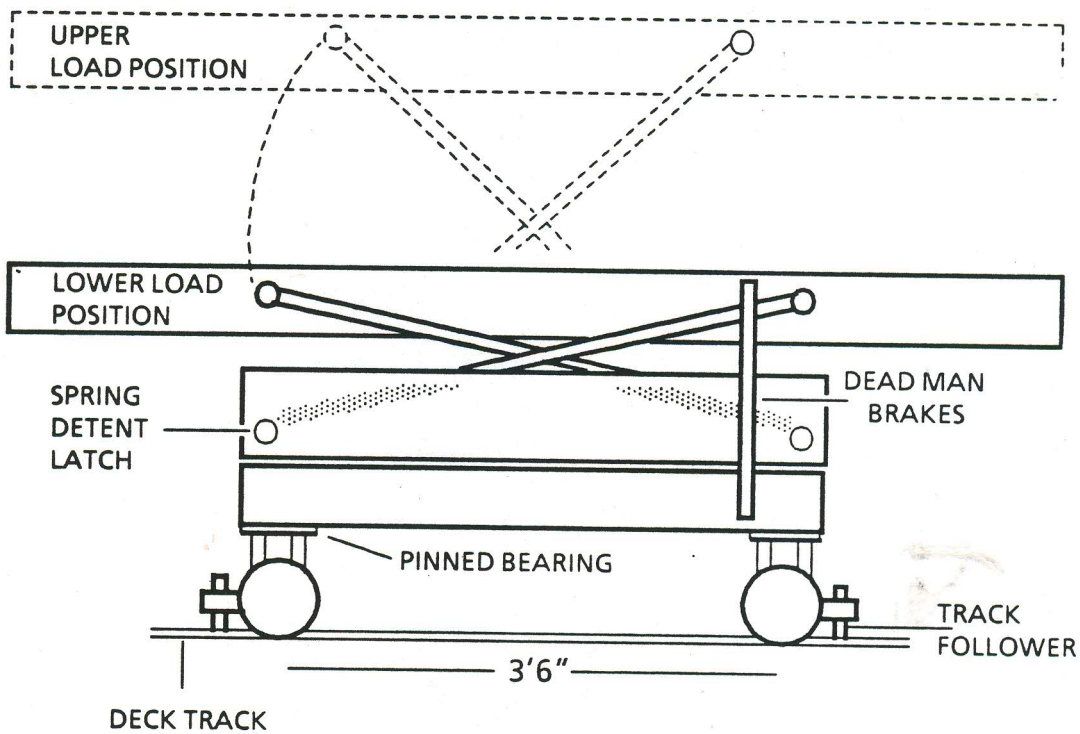


Figure 27 Combination Loader Tray/Torpedo Dolly